

SIGHT PLUGS

LSP151 SERIES

The LSP151 Series low pressure brass sight plug has a clear glass sight and male PTF pipe thread connection. Designed to be an economical alternative to high performance fused sight plugs, the LSP151 Series sight plug features a tamper resistant construction and can be accessorized with reflector and float ball. Box quantities may apply.

Standard Features:

- Stud end sizes from 1/4 inch NPT to 2-11½ inch NPT
- Clear glass sight
- Available open view, with reflector or with reflector and float ball

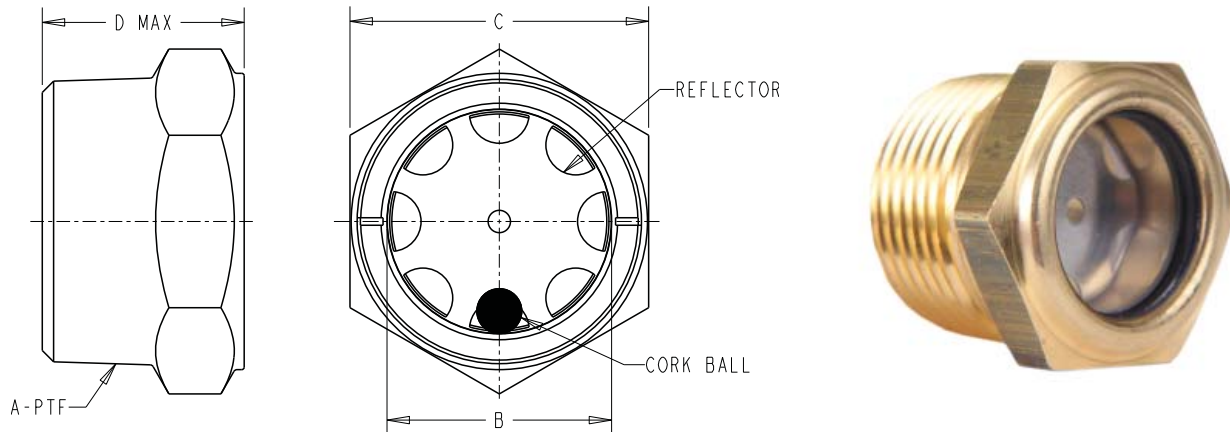
Standard Materials:

- Brass construction
- Soda lime glass sight
- Buna N seals
- Stainless Steel reflector (when applicable)
- Cork float ball (when applicable)

Temperature and Pressure Ratings:

- Maximum operating temperature up to 180°F (82°C).
(For applications requiring maximum operating temperatures in excess of 180°F (82°C), consult factory for available options.)
- See chart below for pressure ratings

- CAUTION:**
- Do not use an impact wrench to install a sight plug
 - Not recommended for steam applications
 - Scratched glass significantly reduces the pressure rating of the sight plug



| LSP151 Series | | | | | | | | |
|---------------|-----------------------|--------------------|--------------------------|--------------|---------------------|---------------------|---------------------|---|
| Open View | Part No. Reflector | Reflector and Ball | Min/Mult Box Quantity | A PTF | B inches (mm) | C inches (mm) | D inches (mm) | Max. Work. Pressure @ 69°F (20°C) PSI (kPa) |
| LSP151-02 | - | - | 25 | 1/4-18 | .34 (8.64) | .62 (15.75) | .79 (20.07) | 150 (1034) |
| LSP151-03 | LSP151-03-01 | LSP151-03-02 | 25 | 3/8-18 | .44 (11.18) | .75 (19.05) | .86 (21.84) | 100 (690) |
| LSP151-04 | LSP151-04-01 | LSP151-04-02 | 25 | 1/2-14 | .56 (14.22) | .88 (22.35) | 1.01 (25.65) | 100 (690) |
| LSP151-05 | LSP151-05-01 | LSP151-05-02 | 25 | 3/4-14 | .75 (19.05) | 1.12 (28.45) | 1.01 (25.65) | 60 (414) |
| LSP151-06 | LSP151-06-01 | LSP151-06-02 | 15 | 1-11 1/2 | .94 (23.88) | 1.44 (36.58) | 1.24 (31.50) | 60 (414) |
| LSP151-07 | LSP151-07-01 | LSP151-07-02 | 15 | 1 1/4-11 1/2 | 1.19 (30.23) | 1.75 (44.45) | 1.42 (36.07) | 25 (172) |
| LSP151-08 | LSP151-08-01 | LSP151-08-02 | 10 | 1 1/2-11 1/2 | 1.44 (36.58) | 2.00 (50.80) | 1.52 (38.61) | 25 (172) |
| LSP151-09 | LSP151-09-01 | LSP151-09-02 | 10 | 2-11 1/2 | 1.88 (47.75) | 2.50 (63.50) | 1.70 (43.18) | 10 (69) |

Dimensions and specifications are subject to change without notice. Not all items are Made-To-Stock, contact us for availability.

06/14

Ph : 920-682-6877
Fx : 920-684-7210



sales@ldi-industries.com
www.ldi-industries.com